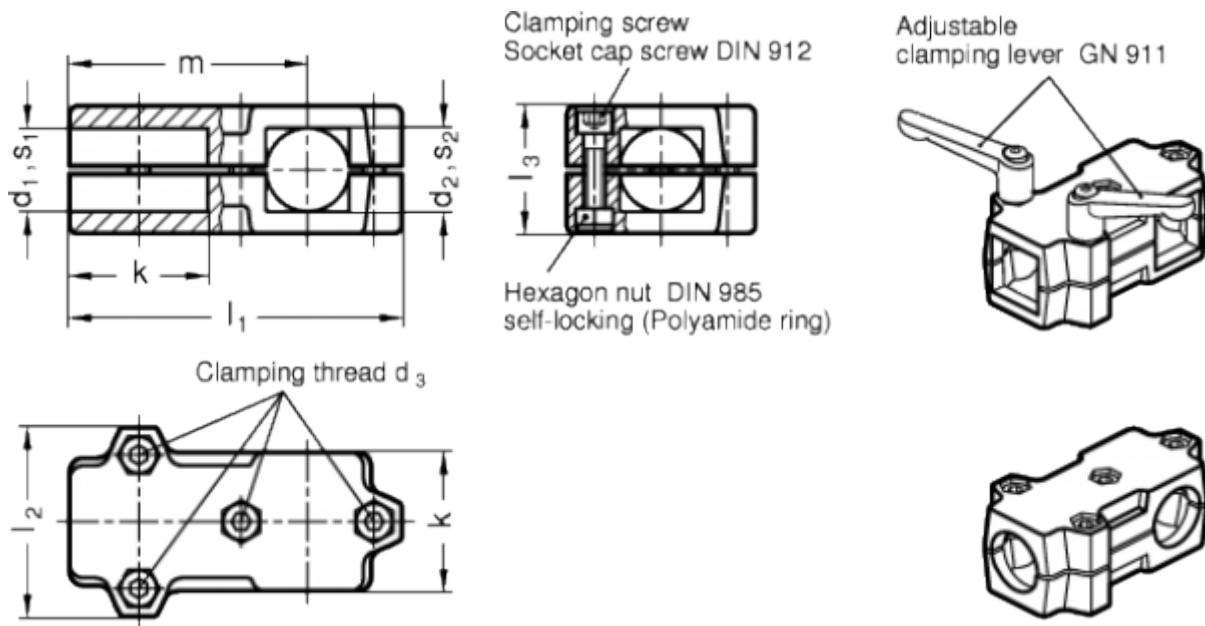


Article number: 20193B20B20502BL
 Description: E+G T-angle clamp
 GN 193-B20-B20-50-2-BL

Measures



| | | |
|----------------------------|---------------------|-----|
| Accessories = GN 911-M8-40 | m | = - |
| d1 = 20 | s1 | = - |
| d2 = 20 | s2 | = - |
| d3 = M8 | Weight in (g) = 446 | |
| k = 50 | | |
| l1 = 120 | | |
| l2 = 68 | | |
| l3 = 46 | | |